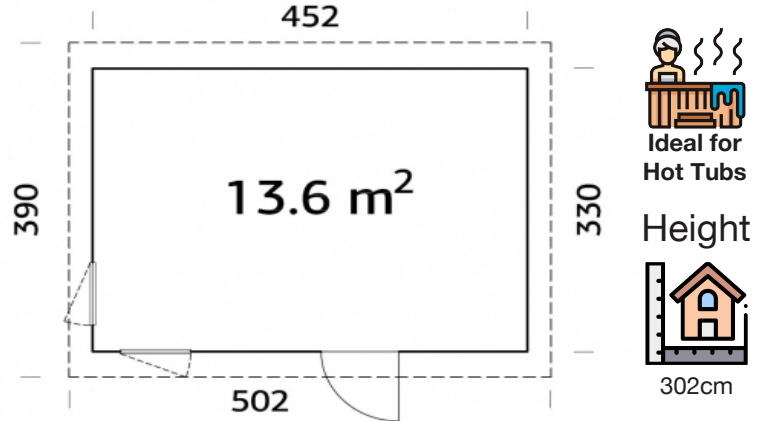


OULU



If the rustic, wooden look is not for you, then the self-build Oulu contemporary garden room offers a superb, modern alternative. It's Scandinavian design without the forests and fairy tales element. You could use it as anything from a studio to a workshop to an extra living space.



- 452 x 330cm
- 18+70mm
- 33.7m³
- 13.6m²
- 77 x 191cm
- 57 x 164 (2)cm
- 19mm
- 19mm
- N/A

FULL SPECIFICATION

CABIN SIZE:	452 x 330cm x 302cm	Wood Type:	Nordic Spruce
WALL THICKNESS:	18+70mm	Chalet Cut:	N/A
VOLUME:	33.7m ³	Window Type:	Double Glass
AREA:	13.6m ²	Window / Door Feature:	Rubber Seals & Silicone
DOOR OPENING:	77 x 191cm	Braces:	N/A
WINDOW OPENING:	57 x 164 (2)cm	Roof Boards With:	Boards With Tongue & Groove
FLOORS BOARDS:	19mm	Guarantee:	5 Years
ROOF BOARDS:	19mm	Treated Foundation Joists:	Yes
ROOF OVERHANG:	N/A	IDEAL FOR:	Nordic Cabin
UNDER PLANNING:	No		

FROM £4,857

**FINANCE FROM
£46.49 PCM**

