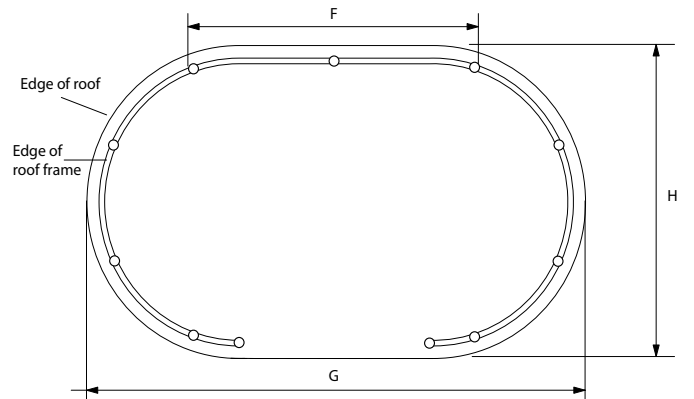
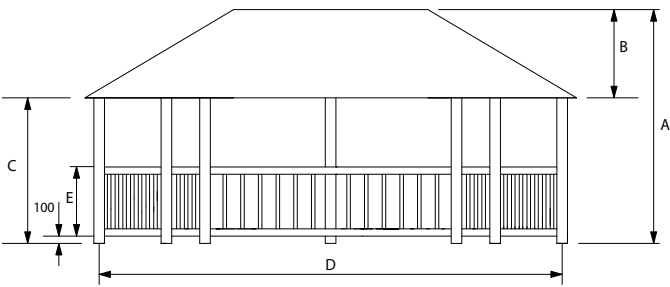




## P Supreme Gazebo Dimensions

Oval	A	B	C	D	E	F	G	H
3.8m x 7.1m	3300	1400	1900	6600	1000	3300	7100	3800



## Instructions

You can order your Gazebo with or without a Timber floor, however in both cases it is extremely important that you provide a base to the following specification.

### 1. Level

The base needs to be a flat and level surface. This means there should be no slope (fall) on the base from either side to side or front to back.

### 2. Solid

The base area must have a solid finish that will not move around. Suitable surfaces are strong decks, patios, concrete plints and areas of well compacted roadstone/Type 1 or Tarmac Scalpings.

Gazebos should NOT be installed onto grass or earth.

### 3. Base Modifications

If the base for the gazebos is not to a satisfactory standard when we arrive to install, then we will charge for the aborted visit. For projects involving hard landscaping to the perimeter of the building, please liaise with The Lapa Company build team for exact dimensions.

### 4. Size

The minimum base dimensions are as follows:

## Supreme Gazebo Base Requirements

Oval	A	B	C	R
3.8m x 7.1m	7100	3800	3300	1900

